

Serie Heavy

SR307SI/SR307SE Nylon Cable Chain with Removable Nylon Frame

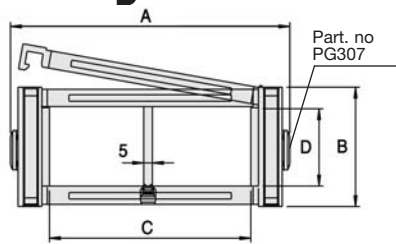
Inner height (D) 47 mm

Construction with sidebands male/female joining system with triple nylon pin. Cover removable from outer radius (SR307SE) or inner radius (SR307SI). Standard chain is equipped with nylon frame every second pitch; on request can be assembled every pitch. Movable separators can be installed to create different compartments.

Technical characteristics when self-supported

Speed	8 m/s
Acceleration	40 m/s ²

For higher requirements please consult our technical dept.

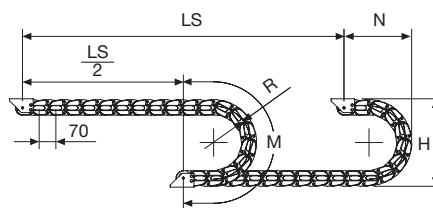


Separator

- Unassembled	Part. no S307S
- Assembled	Part. no S307SMC

A	B	C	D	R	Weight/m	Chain
mm	mm	mm	mm	mm	kg	Part Number
80	64	42	47	075-090-120-140-200-250	1,86	SR307SI(SE)042□□□*
91	64	53	47	075-090-120-140-200-250	1,86	SR307SI(SE)053□□□*
105	64	67	47	075-090-120-140-200-250	1,92	SR307SI(SE)067□□□*
111	64	73	47	075-090-120-140-200-250	1,94	SR307SI(SE)073□□□*
125	64	87	47	075-090-120-140-200-250	1,97	SR307SI(SE)087□□□*
130	64	92	47	075-090-120-140-200-250	1,97	SR307SI(SE)092□□□*
137	64	99	47	075-090-120-140-200-250	1,99	SR307SI(SE)099□□□*
147	64	109	47	075-090-120-140-200-250	2,00	SR307SI(SE)109□□□*
155	64	117	47	075-090-120-140-200-250	2,05	SR307SI(SE)117□□□*
166	64	128	47	075-090-120-140-200-250	2,07	SR307SI(SE)128□□□*
180	64	142	47	075-090-120-140-200-250	2,10	SR307SI(SE)142□□□*
205	64	167	47	075-090-120-140-200-250	2,16	SR307SI(SE)167□□□*
230	64	192	47	075-090-120-140-200-250	2,23	SR307SI(SE)192□□□*
241	64	203	47	075-090-120-140-200-250	2,26	SR307SI(SE)203□□□*
255	64	217	47	075-090-120-140-200-250	2,30	SR307SI(SE)217□□□*
282	64	244	47	075-090-120-140-200-250	2,37	SR307SI(SE)244□□□*
291	64	253	47	075-090-120-140-200-250	2,39	SR307SI(SE)253□□□*
342	64	304	47	075-090-120-140-200-250	2,50	SR307SI(SE)304□□□*
364	64	326	47	075-090-120-140-200-250	2,56	SR307SI(SE)326□□□*
392	64	354	47	075-090-120-140-200-250	2,63	SR307SI(SE)354□□□*

*Complete the code by inserting the value of the radius (R): Ex. SR307SI(SE)110 □□□□
Chain equipped with nylon frame every pitch: complete the code by inserting the letter D.
Ex. SR307SI(SE)110150 □

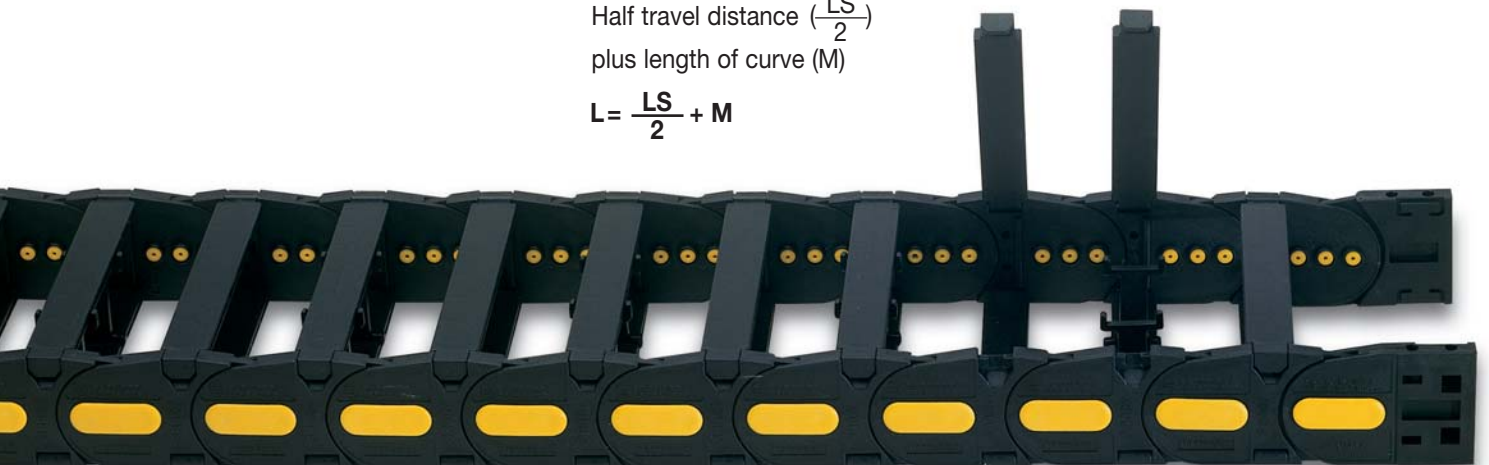


R	H	N	M
mm	mm	mm	mm
075	214	180	375
090	244	195	425
120	304	225	520
140	344	245	580
200	464	305	770
250	564	355	925

Length of chain (L)

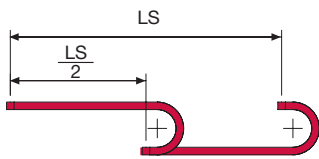
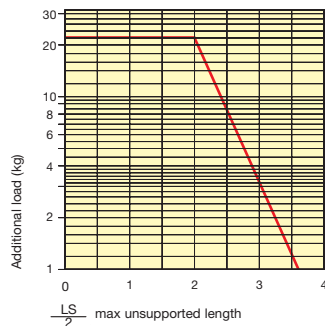
Half travel distance ($\frac{LS}{2}$)
plus length of curve (M)

$$L = \frac{LS}{2} + M$$



Self-Supporting Capacity Diagram

The maximum length of the self-supporting capacity ($\frac{LS}{2}$) in relationship to the weight of the cables and hoses contained per linear metre.



For applications with $\frac{LS}{2}$ and weights not included in the area of the diagram showing self-supporting capacity, verify the possible use of support rollers (see page 30).

End Brackets

The end brackets set allows the two ends of the chain to be attached to the equipment.

Nylon Type

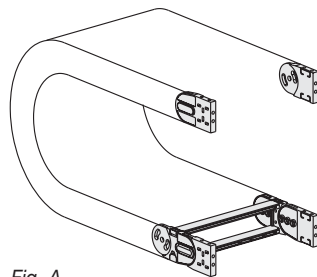


Fig. A

End brackets can be mounted in any position. (Fig. A)

Bright Zinc Plated Steel Type*

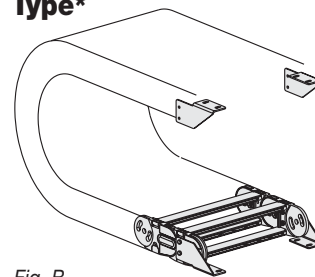
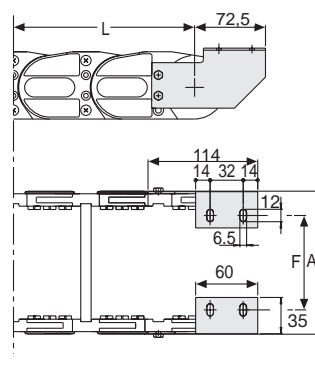
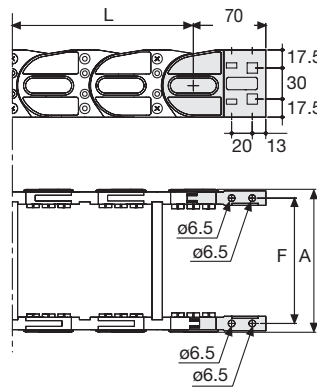


Fig. B

Chain fixed outside the radius. (Fig. B) See end brackets mounting variations: page 31.



Chain	F mm
SR307SI(SE)042	61
SR307SI(SE)053	72
SR307SI(SE)067	86
SR307SI(SE)073	92
SR307SI(SE)087	106
SR307SI(SE)092	111
SR307SI(SE)099	118
SR307SI(SE)109	128
SR307SI(SE)117	136
SR307SI(SE)128	147
SR307SI(SE)142	161
SR307SI(SE)167	186
SR307SI(SE)192	211
SR307SI(SE)203	222
SR307SI(SE)217	236
SR307SI(SE)244	263
SR307SI(SE)253	272
SR307SI(SE)304	323
SR307SI(SE)326	345
SR307SI(SE)354	373

Nylon Type

Part Numbers

Complete Set Assembled

Chain Type	End Brackets Set
SR307SI(SE)...	AN307KM

Complete Set Unassembled

SR307SI(SE)...	AN307K
----------------	--------

Chain	F mm
SR307SI(SE)042	31
SR307SI(SE)053	42
SR307SI(SE)067	56
SR307SI(SE)073	62
SR307SI(SE)087	76
SR307SI(SE)092	81
SR307SI(SE)099	88
SR307SI(SE)109	98
SR307SI(SE)117	106
SR307SI(SE)128	117
SR307SI(SE)142	131
SR307SI(SE)167	156
SR307SI(SE)192	181
SR307SI(SE)203	192
SR307SI(SE)217	206
SR307SI(SE)244	233
SR307SI(SE)253	242
SR307SI(SE)304	293
SR307SI(SE)326	315
SR307SI(SE)354	343

Bright Zinc Plated Steel

Type Part Numbers

Complete Set Assembled

Chain Type	End Brackets Set
SR307SI(SE)...	A307SKM □**

Complete Set Unassembled

SR307SI(SE)...	A307SK □**
----------------	------------

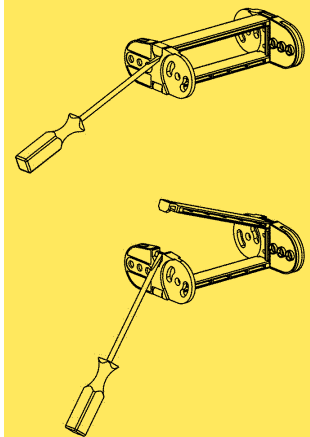
*Available on request in stainless steel
 ** 1=pos. 1; 2=pos.2; 3=pos.3
 See end brackets mounting variations page 31.

Serie Heavy

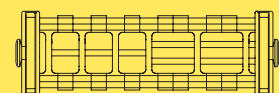
SR307SI SR307SE

Nylon Cable Chain
with Removable
Nylon Frame

3



How to open the cover.



Supplementary movable separators.

Special tool to remove the connecting pivots: part number PZ036.

For further information please consult Brevetti Stendalto's Technical Office