

Serie Heavy

SR308SI/SR308SE

Nylon Cable Chain with Removable Nylon Frame

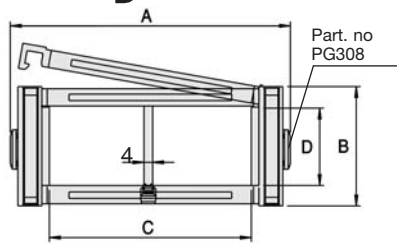
Inner height (D) 57 mm

Construction with sidebands male/female joining system with triple nylon pin. Cover removable from outer radius (SR308SE) or inner radius (SR308SI). Standard chain is equipped with nylon frame every second pitch; on request can be assembled every pitch. Movable separators can be installed to create different compartments.

Technical characteristics when self-supported

Speed	8 m/s
Acceleration	40 m/s ²

For higher requirements please consult our technical dept.

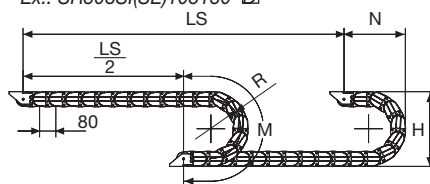


Separator

- Unassembled	Part. no S308C
- Assembled	Part. no S308CMC

A	B	C	D	R	Weight/m	Chain
mm	mm	mm	mm	mm	kg	Part Number
82	75	38	57	150-180-200-230-280-400	2,46	SR308SI(SE)038□□□*
93	75	49	57	150-180-200-230-280-400	2,46	SR308SI(SE)049□□□*
107	75	63	57	150-180-200-230-280-400	2,51	SR308SI(SE)063□□□*
113	75	69	57	150-180-200-230-280-400	2,53	SR308SI(SE)069□□□*
127	75	83	57	150-180-200-230-280-400	2,56	SR308SI(SE)083□□□*
132	75	88	57	150-180-200-230-280-400	2,56	SR308SI(SE)088□□□*
139	75	95	57	150-180-200-230-280-400	2,58	SR308SI(SE)095□□□*
149	75	105	57	150-180-200-230-280-400	2,59	SR308SI(SE)105□□□*
157	75	113	57	150-180-200-230-280-400	2,62	SR308SI(SE)113□□□*
168	75	124	57	150-180-200-230-280-400	2,65	SR308SI(SE)124□□□*
182	75	138	57	150-180-200-230-280-400	2,67	SR308SI(SE)138□□□*
207	75	163	57	150-180-200-230-280-400	2,73	SR308SI(SE)163□□□*
232	75	188	57	150-180-200-230-280-400	2,79	SR308SI(SE)188□□□*
243	75	199	57	150-180-200-230-280-400	2,81	SR308SI(SE)199□□□*
257	75	213	57	150-180-200-230-280-400	2,84	SR308SI(SE)213□□□*
284	75	240	57	150-180-200-230-280-400	2,90	SR308SI(SE)240□□□*
293	75	249	57	150-180-200-230-280-400	2,92	SR308SI(SE)249□□□*
344	75	300	57	150-180-200-230-280-400	3,02	SR308SI(SE)300□□□*
366	75	322	57	150-180-200-230-280-400	3,07	SR308SI(SE)322□□□*
394	75	350	57	150-180-200-230-280-400	3,13	SR308SI(SE)350□□□*

*Complete the code by inserting the value of the radius (R): Ex. SR308SI(SE)105 □□□□
Chain equipped with nylon frame every pitch: complete the code by inserting the letter D.
Ex.: SR308SI(SE)105150 □



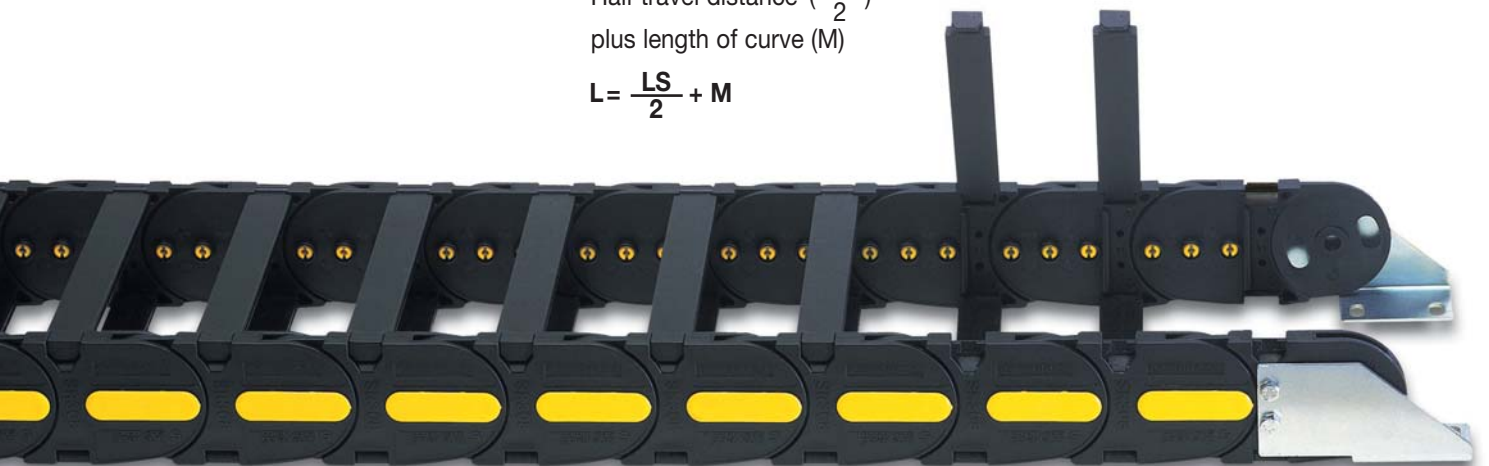
R	H	N	M
mm	mm	mm	mm
150	375	270	635
180	435	300	725
200	475	320	790
230	535	350	885
280	635	400	1040
400	875	520	1420

Length of chain (L)

Half travel distance ($\frac{LS}{2}$)

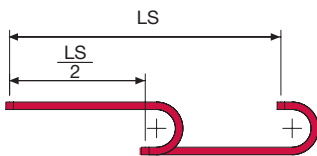
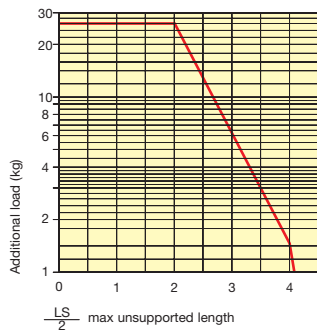
plus length of curve (M)

$$L = \frac{LS}{2} + M$$



Self-Supporting Capacity Diagram

The maximum length of the self-supporting capacity ($\frac{LS}{2}$) in relationship to the weight of the cables and hoses contained per linear metre.



For applications with $\frac{LS}{2}$ and weights not included in the area of the diagram showing self-supporting capacity, verify the possible use of support rollers (see page 30).

End Brackets

The end brackets set allows the two ends of the chain to be attached to the equipment.

Bright Zinc Plated Steel Type*

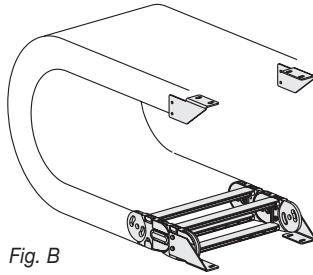
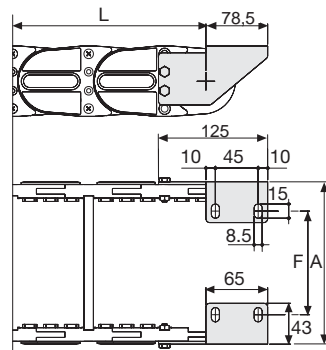


Fig. B

Chain fixed outside the radius. (Fig. B) See end brackets mounting variations: page 31.



Chain	F
	mm
SR308SI(SE)038	20
SR308SI(SE)049	31
SR308SI(SE)063	45
SR308SI(SE)069	51
SR308SI(SE)083	65
SR308SI(SE)088	70
SR308SI(SE)095	77
SR308SI(SE)105	87
SR308SI(SE)113	95
SR308SI(SE)124	106
SR308SI(SE)138	120
SR308SI(SE)163	145
SR308SI(SE)188	170
SR308SI(SE)199	181
SR308SI(SE)213	195
SR308SI(SE)240	222
SR308SI(SE)249	231
SR308SI(SE)300	282
SR308SI(SE)322	304
SR308SI(SE)350	332

Bright Zinc Plated Steel Type Part Numbers

Complete Set Assembled

Chain Type	End Brackets Set
SR308SI(SE)...	A308SKM □**

Complete Set Unassembled

SR308SI(SE)...	A308SK □**
----------------	------------

*Available on request in stainless steel

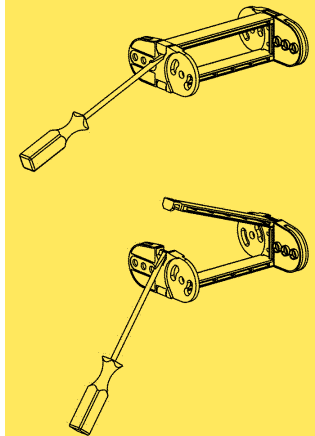
** 1=pos. 1; 2=pos.2; 3=pos.3

See end brackets mounting variations page 31.

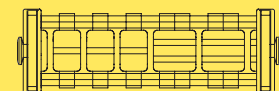
Serie Heavy

SR308SI SR308SE

Nylon Cable Chain with Removable Nylon Frame



How to open the cover.



Supplementary movable separators.

Special tool to remove the connecting pivots: part number PZ036.

For further information please consult Brevetti Stendalto's Technical Office