

# Serie Light

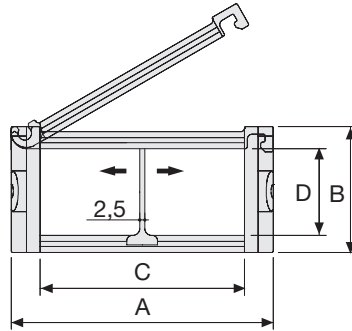
# SR325A Nylon Cable Chain

## Inner height (D) 25,5 mm

Construction by single link with cover removable from outer radius.

Used with a special guide channel, is particularly suitable to long travel distance applications.

Movable separators can be installed to create different compartments



## Separator

- Unassembled	Part. no S325.1
- Assembled	Part. no S325.1MC

## Technical characteristics when self-supported

Speed	10 m/s
Acceleration	50 m/s <sup>2</sup>

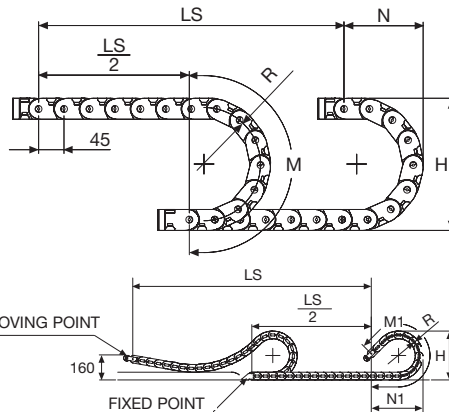
## Technical characteristics when used in long travel distance

Speed	0,5 m/s
Acceleration	1 m/s <sup>2</sup>

For higher requirements please consult our technical dept.

A	B	C	D	R	Weight/m	Chain
mm	mm	mm	mm	mm	kg	Part Number
57	37	40	25,5	050-060-075-100-125-150	0,90	SR325A040 □□□*
77	37	60	25,5	050-060-075-100-125-150	1,00	SR325A060 □□□*
93	37	76	25,5	050-060-075-100-125-150	1,10	SR325A076 □□□*
120	37	103	25,5	050-060-075-100-125-150	1,25	SR325A103 □□□*

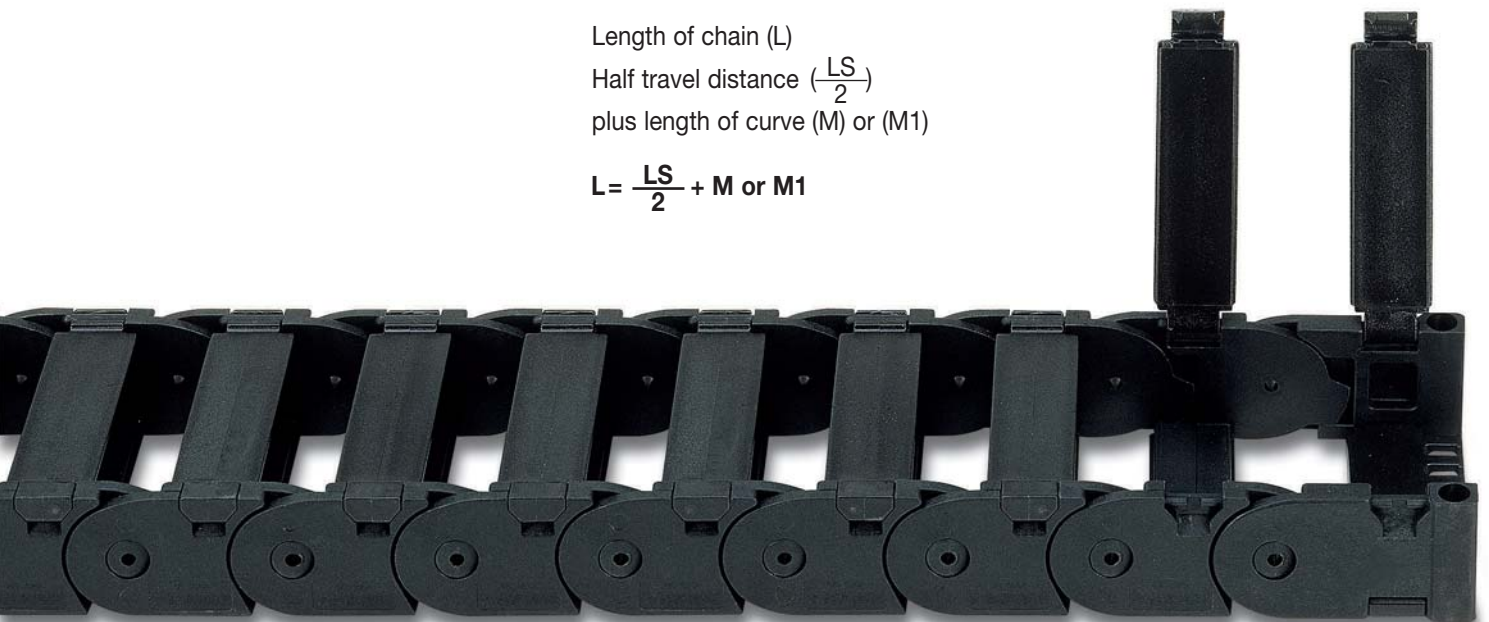
\*Complete the code by inserting the value of the radius (R): Ex. SR325A040 □□□□



R	H	N	M	N1	M1
mm	mm	mm	mm	mm	mm
050	137	115	250	160	340
060	157	125	280	170	370
075	187	140	325	180	410
100	237	165	405	220	630
125	287	190	485	310	850
150	337	215	565	390	1070

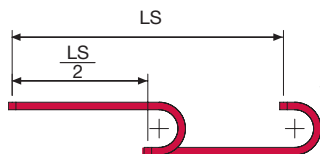
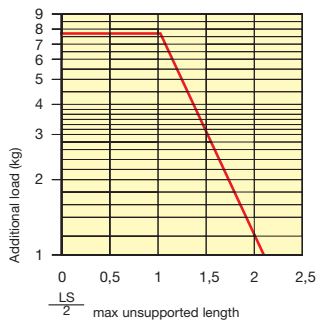
Length of chain (L)  
Half travel distance ( $\frac{LS}{2}$ )  
plus length of curve (M) or (M1)

$$L = \frac{LS}{2} + M \text{ or } M1$$



### Self-Supporting Capacity Diagram

The maximum length of the self-supporting capacity ( $\frac{LS}{2}$ ) in relationship to the weight of the cables and hoses contained per linear metre.



For applications with  $\frac{LS}{2}$  and weights not included in the area of the diagram showing self-supporting capacity, verify the possible use of support rollers (see page 30).

### End Brackets

The end brackets set allows the two ends of the chain to be attached to the equipment.

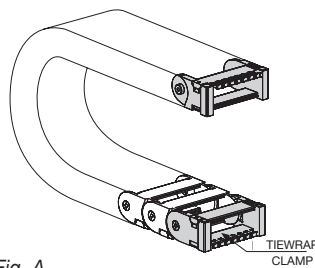
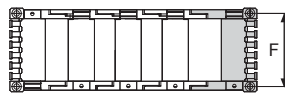
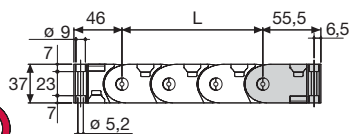


Fig. A

Chain fixed outside/inside the radius. (Fig. A)  
See end brackets mounting variations: page 31



Chain	F
	mm
SR325A040	51
SR325A060	71
SR325A076	87
SR325A103	114

### Nylon End Brackets Part Numbers

#### Complete Set Assembled

Chain Type	End Brackets Set
SR325A040	AN325A040KM
SR325A060	AN325A060KM
SR325A076	AN325A076KM
SR325A103	AN325A103KM

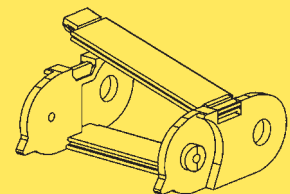
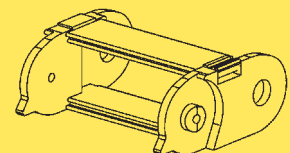
#### Complete Set Unassembled

Chain Type	End Brackets Set
SR325A040	AN325A040K
SR325A060	AN325A060K
SR325A076	AN325A076K
SR325A103	AN325A103K

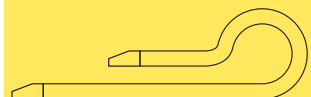
### Serie Light

## SR325A

### Nylon Cable Chain



How to open the cover.



Suitable to long travel distance.  
To choose the guide channel see page 52.

For further information please consult Brevetti Stendalto's Technical Office