

# Serie Medium

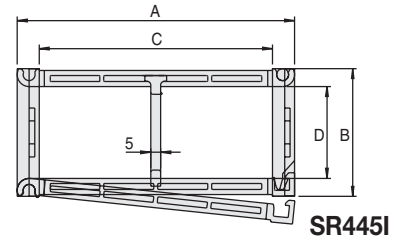
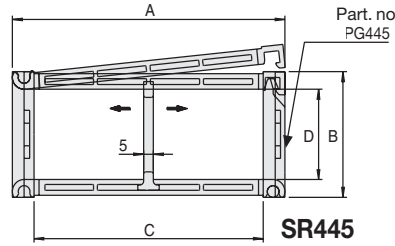
## SR445/SR445I Nylon Cable Chain

### Inner height (D) 45 mm

Construction by sidebands with antifriction pivot.

Cover removable from outer radius (SR445) or inner radius (SR445I).

Movable separators can be installed to create different compartments.



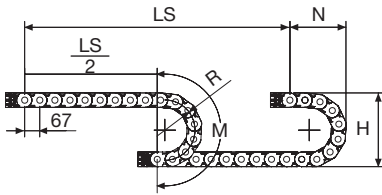
### Separator

- Unassembled Part. no S445
- Assembled Part. no S445MC

### Technical characteristics when self-supported

Speed	10 m/s
Acceleration	50 m/s <sup>2</sup>

For higher requirements please consult our technical dept.



Length of chain (L)

Half travel distance ( $\frac{LS}{2}$ )  
plus length of curve (M)

$$L = \frac{LS}{2} + M$$

R	H	N	M
mm	mm	mm	mm
75	214	180	370
100	264	200	450
125	314	225	530
150	364	250	605
200	464	300	765
250	564	350	920
300	664	400	1080

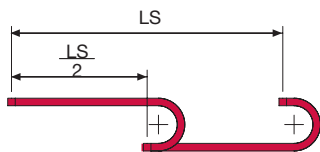
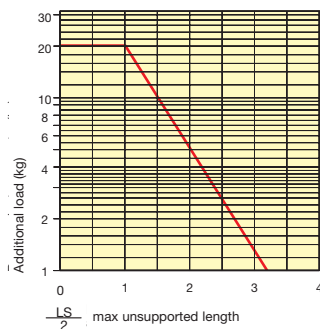
A	B	C	D	R	Weight/m	Chain
mm	mm	mm	mm	mm	kg	Part Number
72	64	50	45	075-100-125-150-200-250-300	1,64	SR445(I)050□□□*
83	64	61	45	075-100-125-150-200-250-300	1,64	SR445(I)061□□□*
97	64	75	45	075-100-125-150-200-250-300	1,76	SR445(I)075□□□*
103	64	81	45	075-100-125-150-200-250-300	1,79	SR445(I)081□□□*
117	64	95	45	075-100-125-150-200-250-300	1,86	SR445(I)095□□□*
122	64	100	45	075-100-125-150-200-250-300	1,87	SR445(I)100□□□*
129	64	107	45	075-100-125-150-200-250-300	1,90	SR445(I)107□□□*
139	64	117	45	075-100-125-150-200-250-300	1,93	SR445(I)117□□□*
147	64	125	45	075-100-125-150-200-250-300	2,01	SR445(I)125□□□*
158	64	136	45	075-100-125-150-200-250-300	2,07	SR445(I)136□□□*
172	64	150	45	075-100-125-150-200-250-300	2,13	SR445(I)150□□□*
197	64	175	45	075-100-125-150-200-250-300	2,25	SR445(I)175□□□*
222	64	200	45	075-100-125-150-200-250-300	2,39	SR445(I)200□□□*
233	64	211	45	075-100-125-150-200-250-300	2,44	SR445(I)211□□□*
247	64	225	45	075-100-125-150-200-250-300	2,52	SR445(I)225□□□*
274	64	252	45	075-100-125-150-200-250-300	2,66	SR445(I)252□□□*
283	64	261	45	075-100-125-150-200-250-300	2,70	SR445(I)261□□□*
334	64	312	45	075-100-125-150-200-250-300	2,92	SR445(I)312□□□*
356	64	334	45	075-100-125-150-200-250-300	3,05	SR445(I)334□□□*
384	64	362	45	075-100-125-150-200-250-300	3,18	SR445(I)362□□□*

\*Complete the code by inserting the value of the radius (R); Ex. SR445(I)050 □□□□



### Self-Supporting Capacity Diagram

The maximum length of the self-supporting capacity ( $\frac{LS}{2}$ ) in relationship to the weight of the cables and hoses contained per linear metre.



For applications with  $\frac{LS}{2}$  and weights not included in the area of the diagram showing self-supporting capacity, verify the possible use of support rollers (see page 30).

### End Brackets

The end brackets set allows the two ends of the chain to be attached to the equipment.

#### Nylon Type

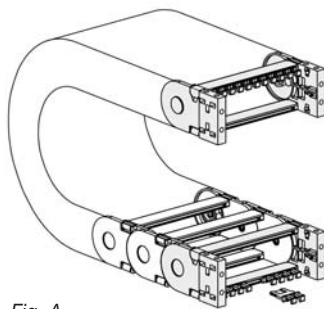
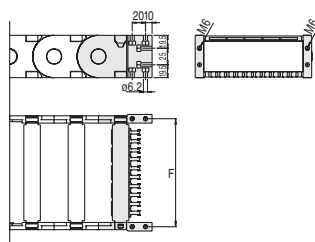


Fig. A  
End brackets can be mounted in any position. (Fig. A)



Chain	F mm
SR445(0)050	63
SR445(0)061	74
SR445(0)075	88
SR445(0)081	94
SR445(0)095	108
SR445(0)100	113
SR445(0)107	120
SR445(0)117	130
SR445(0)125	138
SR445(0)136	149
SR445(0)150	163
SR445(0)175	188
SR445(0)200	213
SR445(0)211	224
SR445(0)225	238
SR445(0)252	265
SR445(0)261	274
SR445(0)312	325
SR445(0)334	347
SR445(0)362	375

#### Nylon Type Part Numbers

Complete Set Assembled	
Chain Type	End Brackets Set
SR445...	AN445 □□□*KM

Complete Set Unassembled	
Chain Type	End Brackets Set
SR445...	AN445 □□□*K

#### Tiewrap Clamp

Chain Type	Tiewrap Clamp Part Number
SR445...	SFC445 □□□*

\*Complete the code by inserting the value or the quote (C).

#### Bright Zinc Plated Steel Type\*

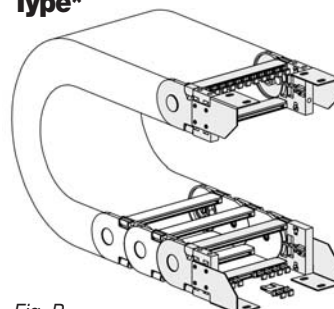
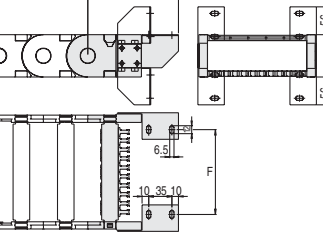


Fig. B  
End brackets can be mounted in any position. (Fig. B)



Chain	F mm
SR445(0)050	28
SR445(0)061	39
SR445(0)075	53
SR445(0)081	59
SR445(0)095	73
SR445(0)100	78
SR445(0)107	85
SR445(0)117	95
SR445(0)125	103
SR445(0)136	114
SR445(0)150	128
SR445(0)175	153
SR445(0)200	178
SR445(0)211	189
SR445(0)225	203
SR445(0)252	230
SR445(0)261	239
SR445(0)312	290
SR445(0)334	312
SR445(0)362	340

#### Bright Zinc Plated Steel Type Part Numbers

Complete Set Assembled	
Chain Type	End Brackets Set
SR445...	A445 □□□KM□**

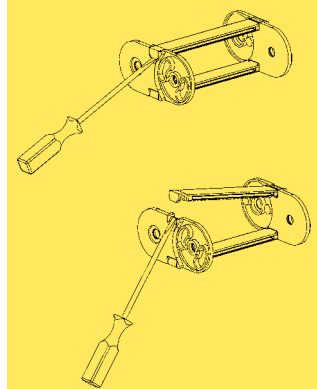
Complete Set Unassembled	
Chain Type	End Brackets Set
SR445...	A445 □□□K□*

\*Available on request in stainless steel

\*\* 1=Pos. 1; 2=Pos. 2; 3=Pos. 3

### Serie Medium

## SR445 SR445I Nylon Cable Chain



How to open the cover.

Special tool to remove the connecting pivots: part number PZ010.

For further information please consult Brevetti Stendalto's Technical Office