

High-speed and Low-noise Ball Screws

BSS Series

Quiet and compact, with unparalleled high speed performance. Reduced-noise BSS Series ball screws for an extensive range of uses, from machine tools to transportation equipment.

Patent Pending



BSS Series—Next-generation ball screws with quiet, high-speed performance in a compact size, the result of joining NSK's advanced technology with an innovative recirculation method

A new series has joined the NSK ball screws lineup that delivers unrivaled precision. Developed with the advanced technology NSK has gained over years of earning customer trust with proven performance, this series represents a groundbreaking achievement in reduced noise and high-speed operation in an amazingly compact size. The quiet performance is especially appreciated in machine tools, medical equipment, semiconductor-manufacturing equipment, LCD manufacturing equipment, and chip mounting equipment.

Features

Quieter by 6 dB; nearly silent in typical applications

The average noise level is reduced by more than 6 dB compared with our conventional products. At low-speed rotation, the ball screws are nearly silent, while the lowest noise level is achieved at high-speed rotation*.

*Noise level measured with a microphone at a distance of 400 mm.

High-speed operation of up to 220,000 dN

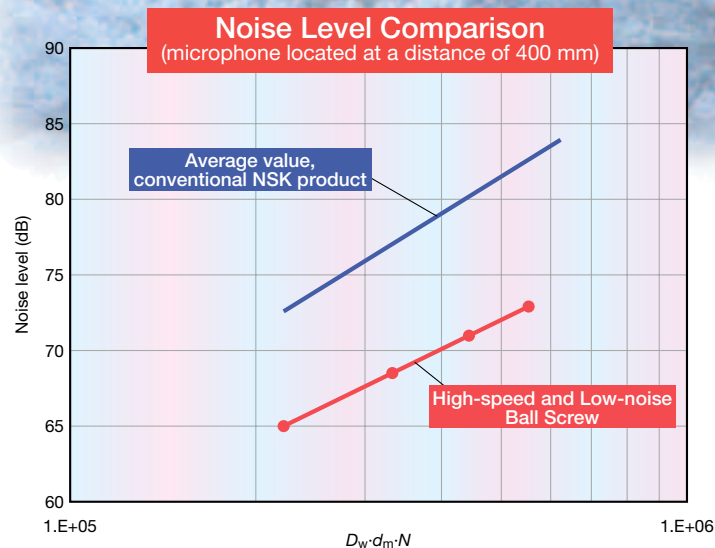
Realizes high-speed operation at a maximum of dN 220,000—outstanding for ball screws and far surpassing the 135,000 dN maximum performance of conventional return tube type products. For high lead ball screws, high-speed operation at over 200m/min is also possible.

30% smaller

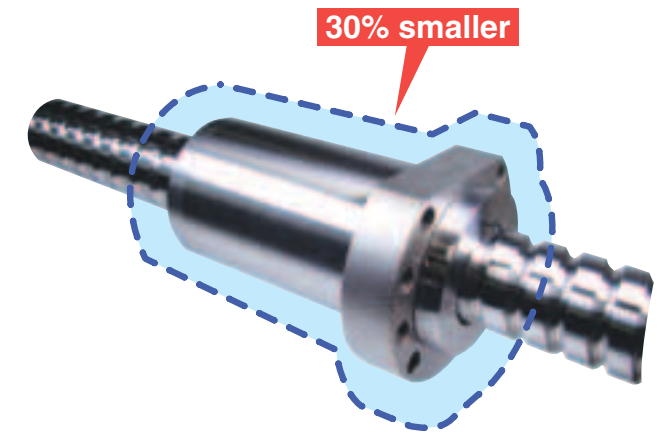
The external diameter of the ball nut is 30% smaller than our conventional models. Compact configurations are possible for low-profile XY tables as well as for other devices and equipment.

Grease fitting provided as standard equipment

The ball screws with shaft diameters of less than $\phi 25$ are standardly equipped with a grease fitting (M5 \times 0.8). Lubrication ports are provided in 2 places to facilitate maintenance. The ball screws can be easily connected to an integrated lubrication system.



High-speed and Low-noise Ball Screws BSS Series



*High speed,
extremely low noise*

Silent

Application

Combinations of shaft diameter and lead of the high-speed and low-noise ball screws are shown in the table.

Shaft diameter	Lead													
	5	10	12	16	20	25	30	32	40	50	60	64	80	100
10	•	•												
12	•	•			•		•							
15	•	•			•		•							
20	•	•			•		•		•		•			
25	•	•			•	•	•			•				
32	•	•	•	•	•			•				•		
36	•	•	•	•	•									
40	•	•	•	•	•	•	•		•				•	
45		•	•	•	•	•	•							
50		•	•	•	•	•	•			•				•

Specifications

Recirculation method

A new internal ball recirculation method is applied for simpler, more compact ball nuts.

Preload and axial play

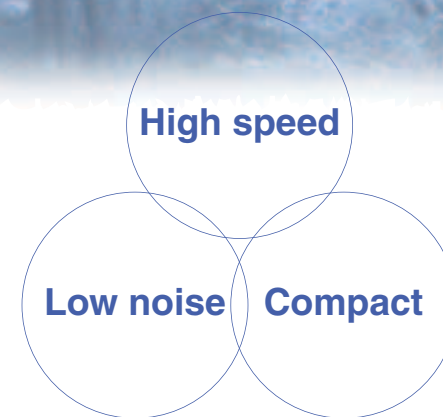
Adopts oversized ball preload, suitable for compact devices. Axial play can be selected from less than or equal to 0.005 mm (code T), 0.020 mm (code S), or 0.050 mm (code N). For more information, please see the general catalog of precision machine components.

Sealing

Adopts a new compact design high performance sealing. Minimal grease scattering contributes to maintenance of a clean environment.

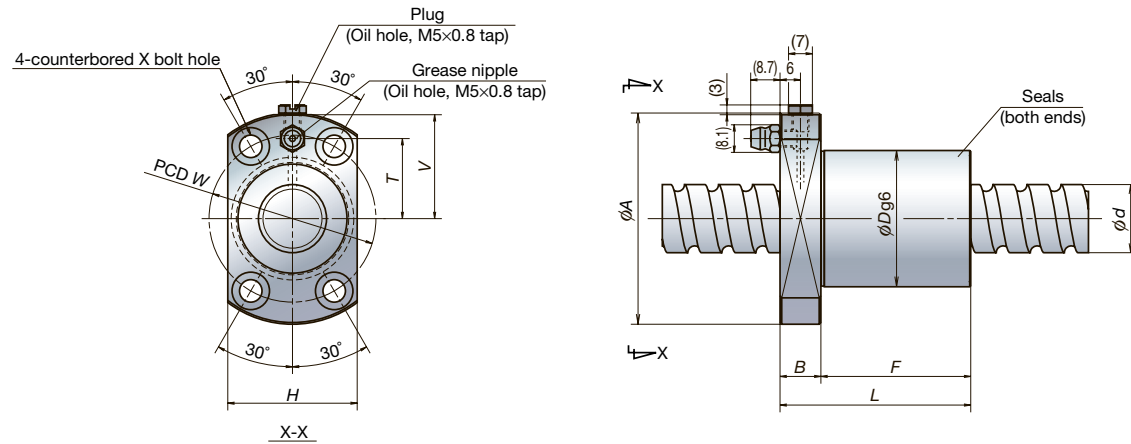
Options

- Optional NSK K1™ lubrication unit, molded from resin and impregnated with lubrication oil, supplies fresh oil onto ball rolling surfaces, ensuring long-term, maintenance-free usage. Please contact NSK when using NSK K1.
- Please contact NSK about hollow shaft ball screws that are compatible with the forced cooling of the shaft center, which are effective for stabilizing positioning accuracy and shortening the warm-up period.

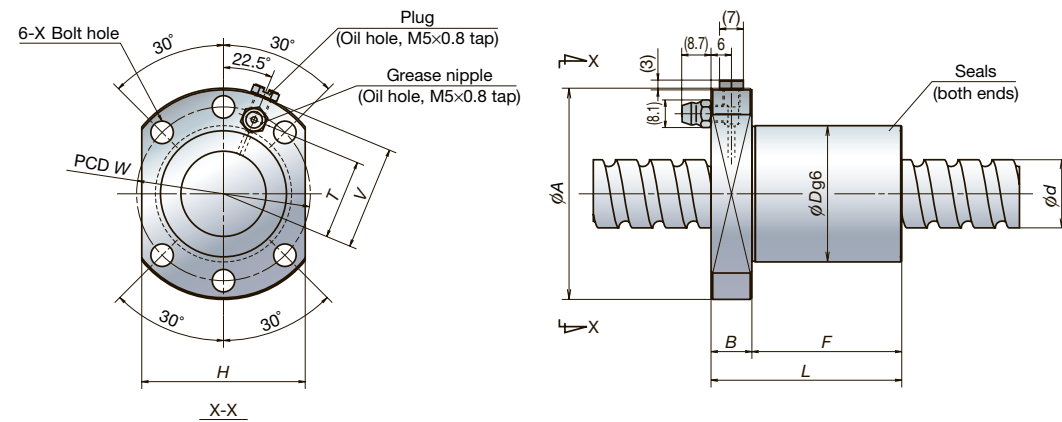


Dimensions of BSS Series

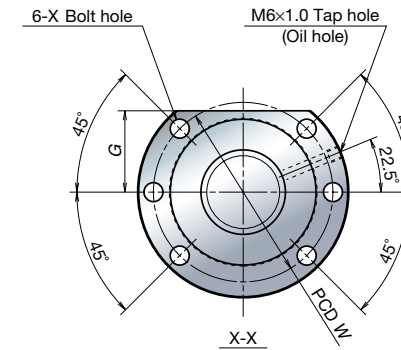
High-speed and Low-noise Ball Screws BSS Series



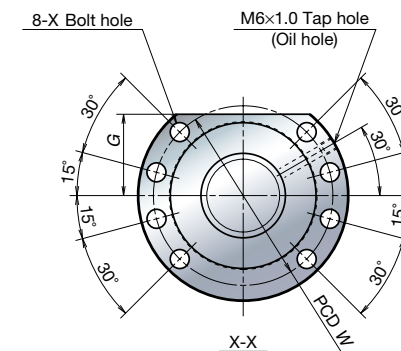
Type I Flange



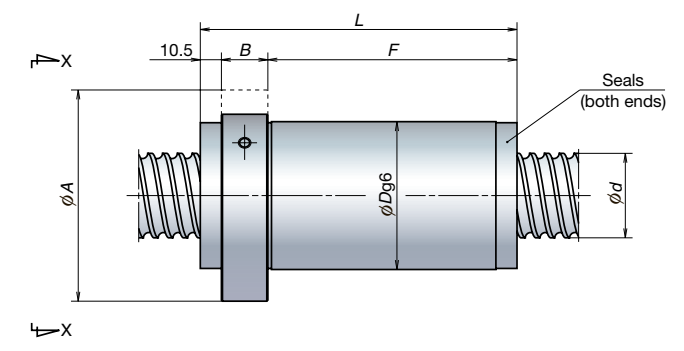
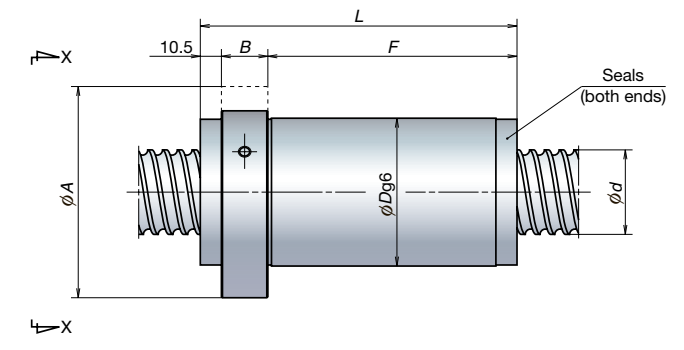
Type II Flange



Type III Flange



Type IV Flange



Model No.	Screw shaft diameter d (mm)	Lead ℓ (mm)	Effective turns of balls	Basic load rating		Axial rigidity (N/ μ m)	Ball nut dimensions (mm)																		
				Dynamic C_a (N)	Static C_{oa} (N)		D	A	L	B	F	HxV	TYPE	W	X	T									
BSS1005-3E	10	5	3	2 930	4 790	126	23	43	29	11	18	26x21	I	33	M4	14									
BSS1010-2E		10	2	1 970	3 010	77			32	21															
BSS1205-3E	12	5	3	3 200	5 860	146	24	44	30	11	19	27x21.5	I	34	M4	14.5									
BSS1210-3E		10	3	3 200	5 860	142			43		32														
BSS1220-2E		20	2	2 150	3 610	83			50		39														
BSS1230-2E		30	2	2 150	3 610	75			70		59														
BSS1505-3E	15	5	3	5 460	10 200	183	28	51	30	11	19	31x25	I	39	M5	18									
BSS1510-3E		10	3	5 460	10 200	181			43		32														
BSS1520-2E		20	2	5 070	8 730	127			51		40														
BSS1530-2E		30	2	5 070	8 730	116			71		60														
BSS2005-3E	20	5	3	8 790	18 500	268	32	55	31	13	18	33x27	I	43	M5	20									
BSS2010-3E		10	3	8 790	18 500	268			45		32														
BSS2020-2E		20	2	5 900	11 700	167			54		41														
BSS2030-2E		30	2	5 900	11 700	159			74		61														
BSS2040-2E		40	2	5 900	11 700	147			92		79														
BSS2060-2E		60	2	5 900	11 700	128			129		116														
BSS2505-3E		25	5	3	9 760	23 600			325		40						62	32	12	20	48x30.5	II	51	M6	23.5
BSS2510-4E			10	4	12 800	32 300			437									56		44					
BSS2520-2E	20		2	6 560	14 600	203	54	42																	
BSS2525-2E	25		2	6 560	14 600	197	63	51																	
BSS2530-2E	30		2	6 560	14 600	194	74	62																	
BSS2550-2E	50		2	6 560	14 600	177	114	102																	

Note: Rigidity values in this table are theoretical values derived from elastic displacement between screw grooves and balls when axial load is applied to a ball nut for which preload is set at 3% of the basic dynamic load rating (C_a).
The shape and dimension of ball screws with shaft diameters less than $\phi 25$ are the same as NSK ball screws held in standard stock as the Compact FA Series.

Model No.	Screw shaft diameter d (mm)	Lead ℓ (mm)	Effective turns of balls	Basic load rating		Axial rigidity (N/ μ m)	Ball nut dimensions (mm)								
				Dynamic C_a (N)	Static C_{oa} (N)		D	A	L	B	F	G	TYPE	W	X
BSS3205-5E	32	5	5	17 500	52 900	672	56	86	60	12	37.5	34	III	71	M8
BSS3210-6E		10	6	43 300	111 000	865			104	75.5					
BSS3212-5E		12	5	36 700	90 800	716			103	74.5					
BSS3216-5E		16	5	36 700	90 800	716			122	18	93.5				
BSS3220-5E		20	5	36 700	90 800	708			141	112.5					
BSS3232-2E		32	2	15 300	32 400	261			94	65.5					
BSS3264-2E	64	2	15 300	32 400	232	153	124.5								
BSS3605-5E	36	5	5	18 400	59 500	740	65	95	60	12	37.5	36	IV	80	M8
BSS3610-6E		10	6	55 200	142 000	970			109	76.5					
BSS3612-6E		12	6	55 200	142 000	967			120	22	87.5				
BSS3616-6E		16	6	55 200	142 000	961			143	110.5					
BSS3620-6E		20	6	55 200	142 000	959			166	133.5					
BSS4010-6E		10	6	58 200	158 000	1 060			109	76.5					
BSS4012-6E	12	6	58 200	158 000	1 050	120	87.5								
BSS4016-6E	16	6	58 200	158 000	1 050	143	110.5								
BSS4020-6E	20	6	58 200	158 000	1 050	166	22	133.5							
BSS4025-4E	25	4	40 100	103 000	686	145	112.5								
BSS4030-3E	30	3	30 600	74 000	505	134	101.5								
BSS4040-2E	40	2	20 600	46 600	319	110	77.5								
BSS4080-2E	80	2	20 600	46 600	286	184	151.5								
BSS4510-6E	45	10	6	60 700	178 000	1 160	75	110	109	22	76.5	43	IV	93	M10
BSS4512-6E		12	6	60 700	178 000	1 160			120	87.5					
BSS4516-6E		16	6	60 700	178 000	1 160			143	22	110.5				
BSS4520-6E		20	6	60 700	178 000	1 150			166	133.5					
BSS4525-5E		25	5	51 400	146 000	954			170	137.5					
BSS4530-4E		30	4	41 800	116 000	752			164	131.5					
BSS5010-6E	50	10	6	64 600	198 000	1 270	82	118	109	22	76.5	46	IV	100	M10
BSS5012-6E		12	6	64 600	198 000	1 270			120	87.5					
BSS5016-6E		16	6	64 600	198 000	1 270			143	22	110.5				
BSS5020-6E		20	6	64 600	198 000	1 260			166	22	133.5				
BSS5025-5E		25	5	54 700	164 000	1 040			170	137.5					
BSS5030-5E		30	5	54 700	164 000	1 040			194	161.5					
BSS5050-2E	50	2	22 800	58 300	383	130	97.5								
BSS50100-2E	100	2	22 800	58 300	342	224	191.5								

Note: Rigidity values in this table are theoretical values derived from elastic displacement between screw grooves and balls when axial load is applied to a ball nut for which preload is set at 3% of the basic dynamic load rating (C_a).

Worldwide Sales Offices

NSK Ltd. – Headquarters, Tokyo, Japan ASIA BUSINESS STRATEGIC DIVISION-HEADQUARTERS INDUSTRIAL MACHINERY BEARINGS DIVISION-HEADQUARTERS AUTOMOTIVE DIVISION-HEADQUARTERS NEEDLE ROLLER BEARINGS STRATEGIC DIVISION-HEADQUARTERS PRECISION MACHINERY & PARTS DIVISION-HEADQUARTERS Africa South Africa: NSK South Africa (Pty) Ltd. Johannesburg Asia and Oceania Australia: NSK Australia Pty. Ltd. Melbourne China: NSK Hong Kong Ltd. Hong Kong Kunshan NSK Co., Ltd. Kunshan Plant Changshu NSK Needle Bearing Co., Ltd. Jiangsu Plant Guizhou HS NSK Bearings Co., Ltd. Anshun Plant NSK Steering Systems Dongguan Co., Ltd. Dongguan Plant Zhangjiagang NSK Precision Machinery Co., Ltd. Jiangsu Plant Timken-NSK Bearings (Suzhou) Co., Ltd. Jiangsu Plant NSK China Technology Center Jiangsu NSK (Shanghai) Trading Co., Ltd. Shanghai NSK Representative Offices Beijing Guangzhou Anshun Chengdu Shenzhen Changchun NSK (China) Investment Co., Ltd. Shanghai India: Rane NSK Steering Systems Ltd. Chennai NSK Ltd. India Blanch Office Chennai Indonesia: PT. NSK Bearings Manufacturing Indonesia Jakarta PT. NSK Indonesia Jakarta	www.nsk.com tel: 03-3779-7145 tel: 03-3779-7227 tel: 03-3779-7189 tel: 03-3779-2563 tel: 03-3779-7219 tel: 011-458-3600 www.nskaustralia.com.au tel: 03-9764-8302 tel: 2739-9933 tel: 0512-5771-5654 tel: 0512-5283-2938 tel: 0853-3521505 tel: 0769-262-0960 tel: 0512-5867-6496 tel: 0512-6665-5666 tel: 0512-5771-5654 tel: 021-6235-0198 www.nsk.com.cn tel: 010-6590-8161 tel: 020-3786-4833 tel: 0853-3522522 tel: 028-8661-4200 tel: 0755-25904886 tel: 0431-8988682 tel: 021-6235-0198 tel: 044-274-66002 tel: 044-2446-6862 tel: 021-898-0155 tel: 021-252-3458	Korea: NSK Korea Co., Ltd. Seoul Changwon Plant Malaysia: NSK Bearings (Malaysia) Sdn. Bhd. Kuala Lumpur NSK Micro Precision (M) Sdn. Bhd. Malaysia Plant New Zealand: NSK New Zealand Ltd. Auckland Philippines: NSK Representative Office Manila Singapore: NSK International (Singapore) Pte Ltd. Singapore NSK Singapore (Pte) Ltd. Singapore Taiwan: Taiwan NSK Precision Co., Ltd. Taipei Thailand: NSK Bearings (Thailand) Co., Ltd. Bangkok NSK Bearings Manufacturing (Thailand) Co., Ltd. Chonburi SIAM NSK Steering Systems Co., Ltd. Chachoengsao NSK Asia Pacific Technology Center (Thailand) Co., Ltd. Chonburi Vietnam: NSK Representative Office Hanoi Europe NSK Europe Ltd. (European Headquarters) Maidenhead, U.K. France: NSK France S.A.S Paris Germany: NSK Deutschland GmbH Düsseldorf NSK Precision Europe GmbH Düsseldorf NSK Steering Systems Europe Ltd. Stuttgart Neuweg Fertigung GmbH Munderkingen Italy: NSK Italia S.p.A. Milano Industria Cuscinetti S.p.A. Torino Plant	www.kr.nsk.com tel: 02-3287-0300 tel: 055-287-6001 tel: 03-7722-3373 tel: 03-8961-6288 www.nsk-rhp.co.nz tel: 09-276-4992 tel: 02-759-6246 tel: 65-6278-1711 www.nsk-singapore.com.sg tel: 65-6278-1711 tel: 02-2509-3305 tel: 02-6412-150 tel: 038-454010-454016 tel: 038-522-343-350 tel: 038-454631-454633 tel: 04-935-1269 www.eu.nsk.com tel: 01628-509800 tel: 01-30-57-39-39 tel: 02102-481-0 tel: 02102-481-0 tel: 0771-79082-277 tel: 07393-540 tel: 02-995-19-1 tel: 0119824811	Netherlands: NSK European Distribution Centre B.V. Tilburg Poland: NSK Europe Ltd. Warsaw Liaison Office Warsaw Liaison NSK Iskra S.A. Kielce NSK European Technology Center, Kielce NSK Steering Systems Europe (Polska) Sp.z.o.o Walbrzych Spain: NSK Spain S.A. Barcelona Turkey: NSK Bearings Middle East Trading Co., Ltd. Istanbul United Kingdom: NSK Bearings Europe Ltd. Peterlee Plant NSK European Technology Centre Newark NSK UK Ltd. Newark NSK Precision UK Ltd. Newark NSK Steering Systems Europe Ltd. Coventry North and South America NSK Americas, Inc. (American Headquarters) Ann Arbor Argentina: NSK Argentina SRL Buenos Aires Brazil: NSK Brasil Ltda. São Paulo Canada: NSK Canada Inc. Toronto Mexico: NSK Rodamientos Mexicana, S.A. de C.V. Mexico City United States of America: NSK Corporation Ann Arbor NSK American Technology Center Ann Arbor NSK Precision America, Inc. Franklin NSK Steering Systems America, Inc. Bennington, Vermont NSK Latin America, Inc. Miami	tel: 013-4647647 tel: 022-645-1525, 1526 tel: 041-367-0505 tel: 041-366-5812 tel: 074-664-4101 tel: 093-289-27-63 tel: 0216-442-7106 tel: 0191-586-6111 tel: 01636-605123 tel: 01636-605123 tel: 01636-605123 tel: 024-76-588588 tel: 734-913-7500 tel: 11-4704-5100 tel: 011-3269-4723 www.ca.nsk.com tel: 905-890-0740 www.mx.nsk.com tel: 55-5390-4312 www.us.nsk.com tel: 734-913-7500 tel: 734-913-7500 tel: 734-913-7500 www.npa.nsk.com tel: 317-738-5038 www.nssa.nsk.com tel: 802-442-5448 www.la.nsk.com tel: 305-477-0605
--------------------------------------------------------------------------------------------------------------------------------------------------------------------------------------------------------------------------------------------------------------------------------------------------------------------------------------------------------------------------------------------------------------------------------------------------------------------------------------------------------------------------------------------------------------------------------------------------------------------------------------------------------------------------------------------------------------------------------------------------------------------------------------------------------------------------------------------------------------------------------------------------------------------------------------------------------------------------------------------------------------------------------------------------------------------------------------------------------------------------------------------------------------------------------------------------------------------------------------------------------------------------------------------------------------------------------------------------------------------	--------------------------------------------------------------------------------------------------------------------------------------------------------------------------------------------------------------------------------------------------------------------------------------------------------------------------------------------------------------------------------------------------------------------------------------------------------------------------------------------------------------------------------------------------------------------------------------------------------------------------------------------------------------------------------------	--------------------------------------------------------------------------------------------------------------------------------------------------------------------------------------------------------------------------------------------------------------------------------------------------------------------------------------------------------------------------------------------------------------------------------------------------------------------------------------------------------------------------------------------------------------------------------------------------------------------------------------------------------------------------------------------------------------------------------------------------------------------------------------------------------------------------------------------------------------------------------------------------------------------------------------------------------------------------------------------------------------------------------------------------------------------------------------------------------------------------------------------------------------------------------------------------------------------------------------------------------------------------	--------------------------------------------------------------------------------------------------------------------------------------------------------------------------------------------------------------------------------------------------------------------------------------------------------------------------------------------------------------------------------------------------------------------------------------------------------------------------------------------------------------------------------------------------------------------------------------------------	--------------------------------------------------------------------------------------------------------------------------------------------------------------------------------------------------------------------------------------------------------------------------------------------------------------------------------------------------------------------------------------------------------------------------------------------------------------------------------------------------------------------------------------------------------------------------------------------------------------------------------------------------------------------------------------------------------------------------------------------------------------------------------------------------------------------------------------------------------------------------------------------------------------------------------------------------------------------------------------------------------------------------------------------------------------------------------------------------------------------------------------------------------------------------------------------------------------------------------------------------------------------	--------------------------------------------------------------------------------------------------------------------------------------------------------------------------------------------------------------------------------------------------------------------------------------------------------------------------------------------------------------------------------------------------------------------------------------------------------------------------------------------------------------------------------------------------------------------------------------------------------------------------------------------------------------------

NSK Ltd. has a basic policy not to export any products or technology designated as controlled items by export-related laws. When exporting the products in this brochure, the laws of the exporting country must be observed. Specifications are subject to change without notice and without any obligation on the part of the manufacturer. Every care has been taken to ensure the accuracy of the data contained in this brochure, but no liability can be accepted for any loss or damage suffered through errors or omissions. We will gratefully acknowledge any additions or corrections.

For more information about NSK products, please contact: _____