

LP3

WITH CONICAL CLAMPING RING

350 - 20,000 Nm



ABOUT

FEATURES

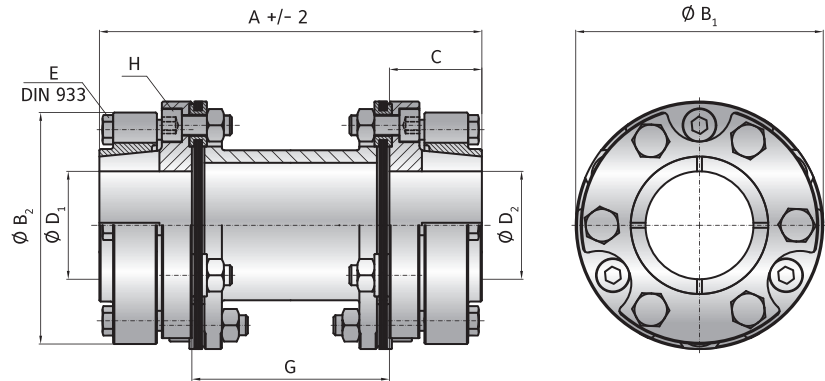
- ▶ high torsional stiffness
- ▶ high clamping pressure
- ▶ backlash free torque transmission
- ▶ good for high speed, reversing and intermittent loading

DESIGN

Two precision machined conical clamping ring hubs and precision spacer tube mounted to the disc packs by means of high strength screws and bushings for alignment and frictional clamping of the assembly.

MATERIAL

- ▶ **Disc packs:** highly elastic spring steel
- ▶ **Hubs and spacer:** high strength steel



MODEL LP3

SERIE			300	700	2000	4000	7000	10000
Rated torque (Nm)	T_{KN}		350	700	2000	4500	7600	10000
Maximum torque (Nm)	T_{Kmax}		700	1400	4000	9000	15200	20000
Overall length (mm)	A		153	198	303	321	410	490
Outside diameter (mm)	B_1		99	128	150	198	238	298
Hub diameter (mm)	B_2		95	125	146	194	234	294
Hub fit length (mm)	C		37	51	71	92	120	135
Bore diameter* available from \emptyset to \emptyset H7 (mm)	$D_{1/2}$		24 - 50	30 - 65	35 - 70	50 - 100	60 - 115	70 - 170
Clamping screws (ISO 4017)	E		6x M8	6x M10	6x M12	6x M16	6x M20	6x M20
Tightening torque (Nm)			25	50	96	250	470	500
Distance (mm)	G		79	96	161	137	170	220
Assembly screw (ISO 4762) Nut (DIN 934)	H		M8	M10	M16	M20	M24	M24
Tightening torque (Nm)			38	75	320	650	1000	1100
Moment of inertia (10^{-3}kgm^2)	$J_{ges.}$		4.2	16.2	44.5	167	468	1280
Material			steel	steel	steel	steel	steel	steel
Approximate weight (kg)			3.2	7.3	14.8	31.4	59.3	98.4
Torsional stiffness (10^3Nm/rad)	C_T		220	550	700	1700	2800	6200
Axial \pm (mm)			1	1.5	2	2.5	2.5	3
Lateral \pm (mm)			0.8	1	1.5	1.4	1.6	2.2
Angular \pm (degree)			1°	1°	1°	1°	1°	1°
Maximum speed (1/min.)			10000	8000	6000	5000	4500	4000

* transmittable torque can depend on the bore diameter (contact supplier for details)

ORDERING EXAMPLE	LP3	700	198	42	38.1	XX
Model	●					Special designation only (e.g. special bore tolerance).
Size		●				
Overall length			●			
Bore D1 H7				●		
Bore D2 H7					●	

For custom features place an XX at the end of the part number and describe the special requirements (e.g. LP3 / 700 / 198 / 42 / 38.1 / XX; XX=stainless steel hubs and spacer)