



### ABOUT

#### FEATURES

- ▶ meets all requirements of API 610
- ▶ intermediate tube removable without disturbing adjacent equipment
- ▶ integral safety catch in case of disc pack rupture
- ▶ ISO G6.3 / AGMA class 9 minimum balance quality
- ▶ highly customizable

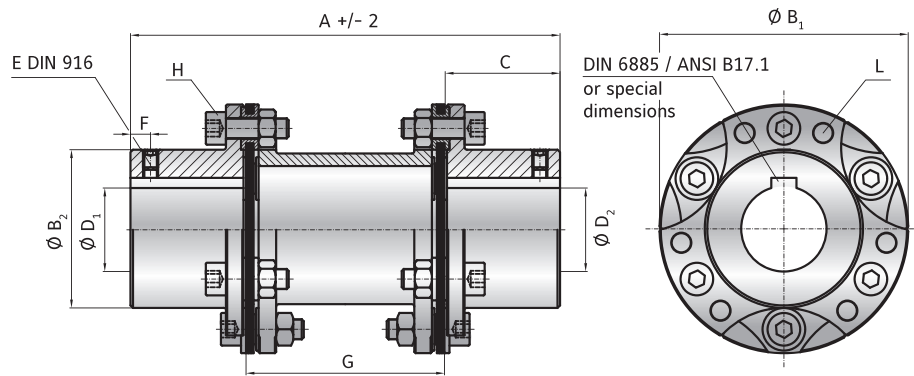
- ▶ **Hubs and spacer:** high strength steel

#### DESIGN

Two precision machined coupling hubs and precision spacer tube mounted to the disc packs by means of high strength screws and bushings for alignment and frictional clamping of the assembly. Axial retention with DIN 916 set screws.

#### MATERIAL

- ▶ **Disc packs:** highly elastic, corrosion resistant spring steel



### MODEL LPA

SIZE	300		700		2000		4000		7000		10000	
Rated torque (Nm)	$T_{KN}$	350	700	2000	4500	7600	10000					
Maximum torque (Nm)	$T_{Kmax}$	700	1400	4000	9000	15200	20000					
Overall length (mm)	A	190   230	250   290	330   400	360   430	380   450	500   550					
Outside diameter (mm)	$B_1$	104	130	160	202	248	312					
Hub diameter (mm)	$B_2$	63	78	86	120	140	194					
Hub fit length (mm)	C	45	55	75	90	100	125					
Bore diameter available from $\varnothing$ to $\varnothing$ H7 (mm)	$D_{1/2}$	18 - 48	25 - 58	28 - 64	38 - 90	50 - 102	70 - 140					
Set screw (DIN 916)	E	see table (depends on bore diameter)*										
Distance to screw (mm)	F	15	15	20	20	25	30					
Distance (mm)	G	100   140	140   180	180   250	180   250	180   250	250   300					
Assembly screw (ISO 4762) Nut (DIN 934)	H	M8	M10	M16	M20	M24	M24					
Tightening torque (Nm)		38	75	320	650	1000	1100					
Safety catch screws (DIN 916)	L	M6	M8	M10	M12	M16	M20					
Moment of inertia ( $10^{-3}$ Nm/kgm <sup>2</sup> )		3   3.1	7.4   7.7	25   25.2	89.3   90.4	230   236	721   726					
Material		steel	steel	steel	steel	steel	steel					
Approximate weight (kg)		3	4.7	11	20.7	35	68.8					
Torsional stiffness ( $10^3$ Nm/rad)	$C_T$	220	550	700	1700	2800	6200					
Axial $\pm$ (mm)		1	1.5	2	2.5	2.5	3					
Lateral $\pm$ (mm)		0.8   1	1   1.3	1.4   1.5	1.4   1.6	1.6   1.9	2.2   2.4					
Angular $\pm$ (degree)		1°	1°	1°	1°	1°	1°					
Maximum speed (1/min.)		10000	8000	6000	5000	4500	4000					

Bore range $\varnothing$	$\varnothing$ 18 - 30	$\varnothing$ 30.1 - 44	$\varnothing$ 44.1 - 65	$\varnothing$ 65.1 - 85	$\varnothing$ 85.1 - 110	$\varnothing$ 110.1 - 140
Set screw size*	M5	M8	M10	M12	M16	M20

ORDERING EXAMPLE	LPA	700	250	42	38.1	XX
Model	●					
Size		●				
Overall length mm			●			
Bore D1 H7				●		
Bore D2 H7					●	
For custom features place an XX at the end of the part number and describe the special requirements (e.g. LPA / 700 / 250 / 42 / 38.1 / XX; XX=with puller holes)						

Special designation only (e.g. special hub for large bore).